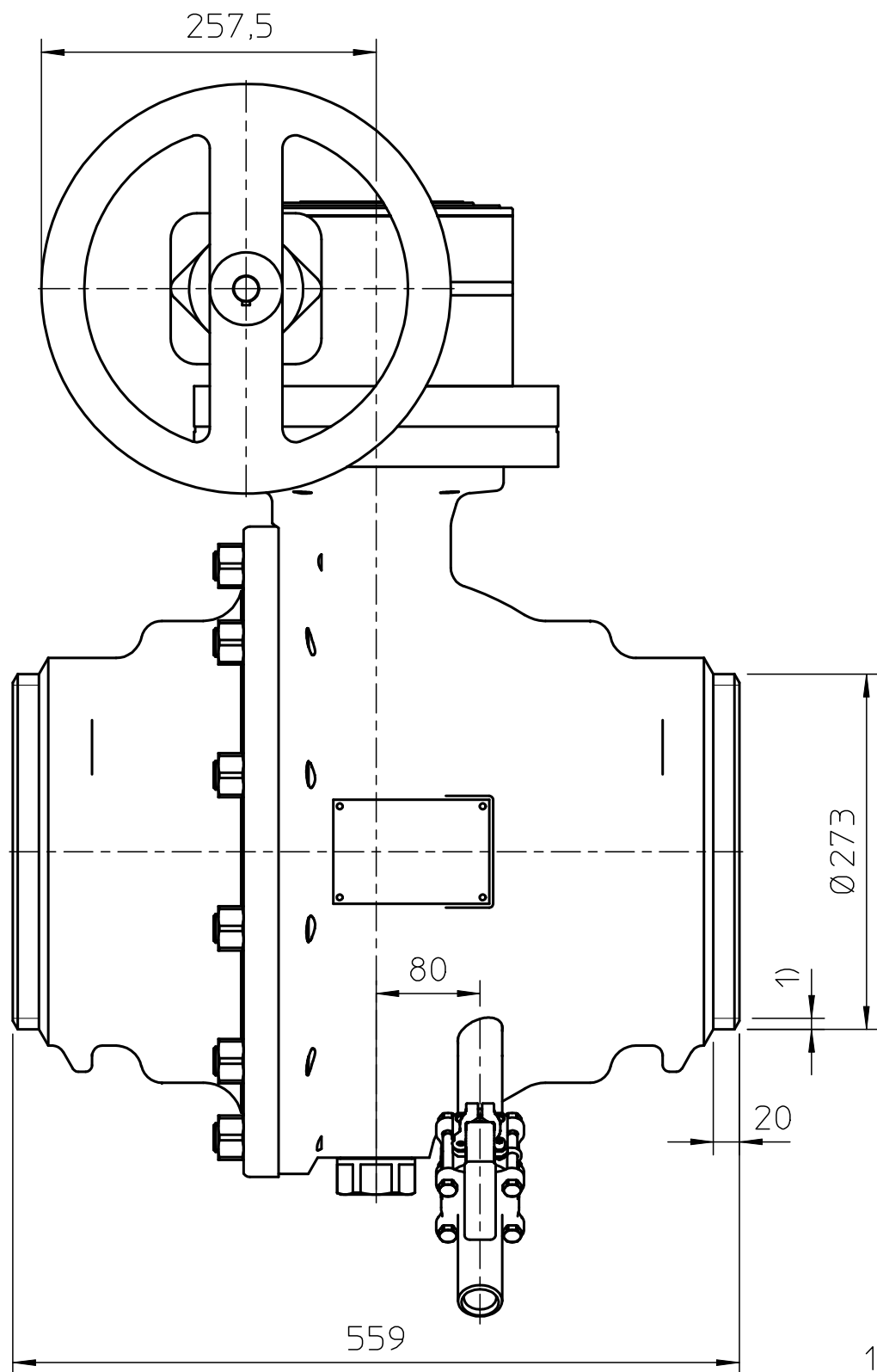
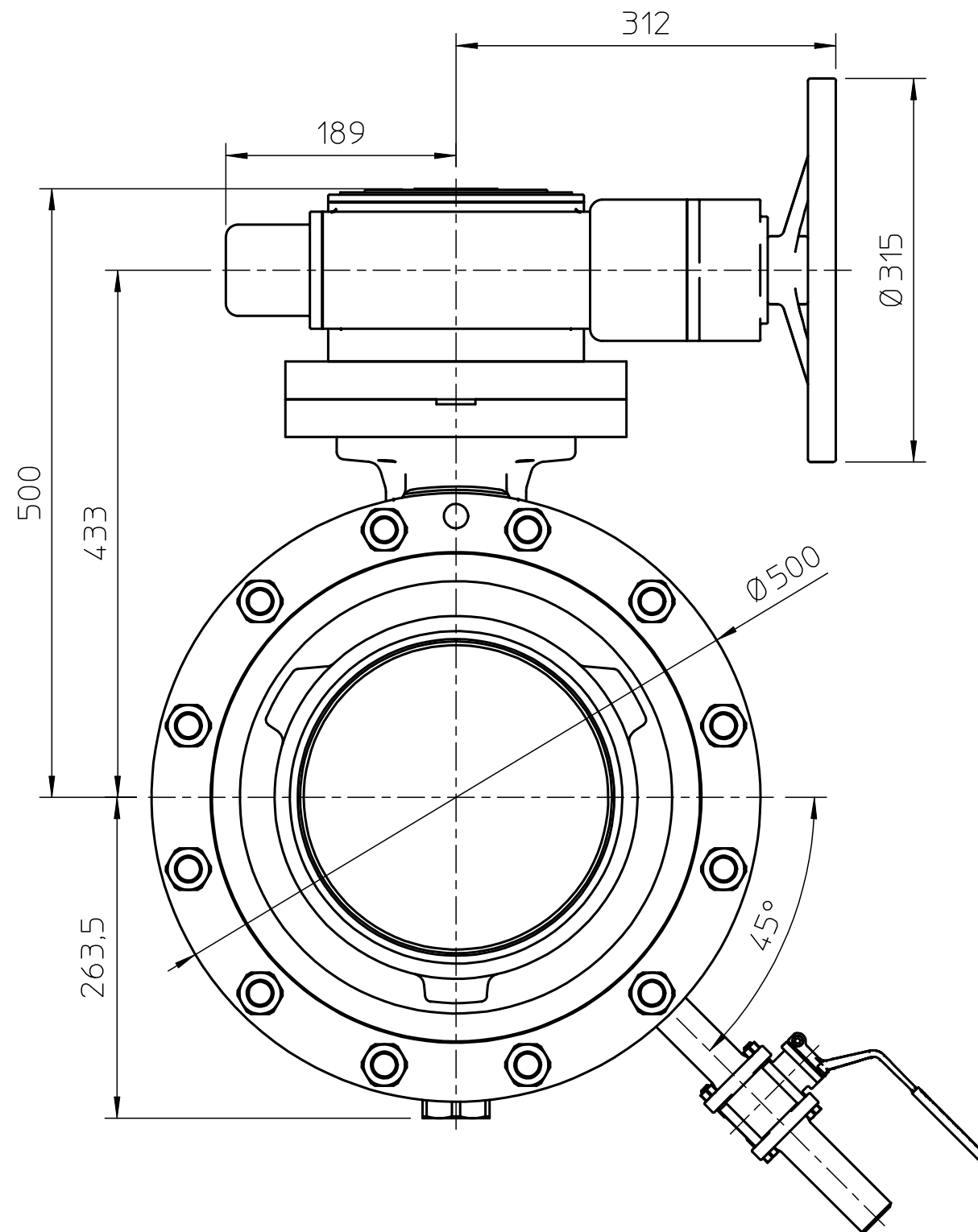


KLINGER ballostar ball valve type KHSV(W) 250 VII-AF(799)-KFC PN25, with  
worm gear type AUMA GS100.3/VZ4.3/H.



1) spec. by purchaser



drain cock DN25 optional

total weight: ca. 252kg

drw.: 20.10.10 SA

wOH31780-3